



RocketStor 4243AS (RS4243AS)



Quick Installation Guide V1.00

RS4243AS Overview

RS4243AS is a 2U all-flash platform with 24x U.2 NVMe hot-swap bays, native dual-port 100GbE NVMe-oF, and end-to-end NVMe path—ideal for real-time analytics.

System Requirements

- Supported Operating Systems: RS4243AS has no OS restriction; depends on initiator NIC.

Note: The OS used for actual testing is Ubuntu 24.04.3 server, Redhat 9.5 and Redhat 10 (RoCE & TCP).

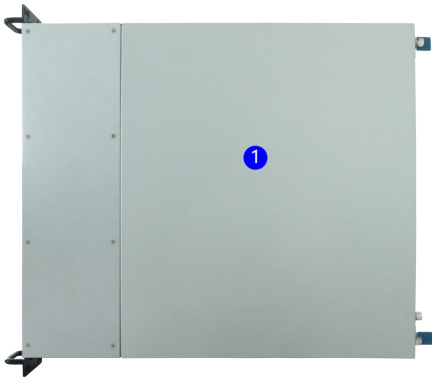
- Support the Host Architecture: X86 / ARM

Kit Contents

- 1x RS4243AS
- 2x Side Rails
- 1x QIG
- 1x RJ45 1Gb 1m Ethernet Cable
- 2x UL Cables
- 24x Screws for 3"

RS4243AS Hardware

Upper View



- ① - **Cover:** Encloses the chassis to protect internal components.

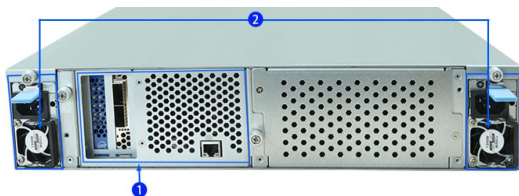
Front View



- ① - **Handle:** Used to push or pull the RS4243AS into or out of the cabinet rails.
- ② - **NVMe SSD Trays:** Used to fix the position of the SSD and prevent it from shifting.

- ③ - **Tray Eject Button:** Provides positive spring pressure for locking trays.
- ④ - **Tray LED:** The I/O status of the current SSD.
- ⑤ - **POWER Button:** Controls the power supply status for the RS4243AS.
- ⑥ - **UID Button:** Enables quick RS4243AS location or disables the beeper.
- ⑦ - **BMC RESET Button:** Provides hardware-level recovery functions for the BMC.
- ⑧ - **Health LED:** Provides real-time indication of the BMC operational state and system event severity.
- ⑨ - **Air Inlet Temperature Sensor:** Assess chassis temperature and exhaust airflow through physical feel.

Rear View



- ① - **IOM Module:** Includes a Storage Adapter, an NVMe-oF Adapter, and an RJ45 connector for remote management.
- ② - **Power Supply Units:** Two 1300w Power Supply Units. Provide a stable power supply for the Chassis.

Side View



- Side rail mounting surface

Internal View



- ① - **PWR Board**: Integrates signal transmission and power delivery.
- ② - **System Fans**: Four heavy-duty fans are used to provide cooling for the system.
- ③ - **BP8 Board**: This 24-drive storage backplane with three MCIO connectors manages and hot-plugs NVMe SSDs.

RS4243AS Hardware Installation

1. Use a wired ESD wrist strap that is properly grounded.
2. Unpack and remove the RS4243AS and check it for damage. If it appears damaged, please contact HighPoint Technical Support.
3. Hardware installation on the Target (RS4243AS).
 - 1) Install the SSD into the NVMe SSD Trays.
 - a. Press the tray eject button to eject the eject mechanisms.



- b. Pull the eject mechanisms to remove the tray from the backplane.



- c. Remove the baffle assembly at the rear of the tray by removing the screws.



- d. Carefully insert the U.2/ U.3 NVMe SSD into the tray.



- e. Secure the NVMe SSD with the mounting screws.

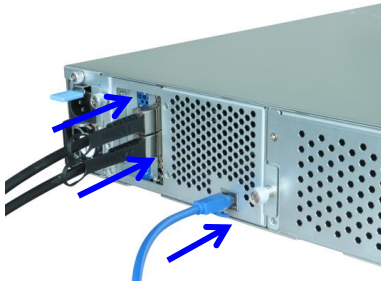


- f. Slide the tray into the backplane slot and push it to the rear of the backplane.



- 2) Connect the RJ45 Ethernet patch cable to the router and the other end of the cable to the rear of the chassis

- 3) Connect the QSFP28 Ethernet patch cables to the rear of the chassis.

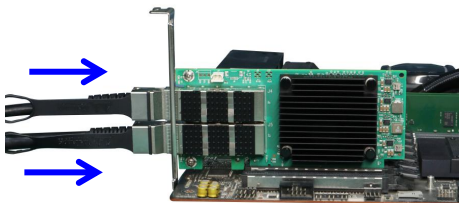


- 4) Connect the UL power cord to the rear of the chassis and connect it to an AC power source.

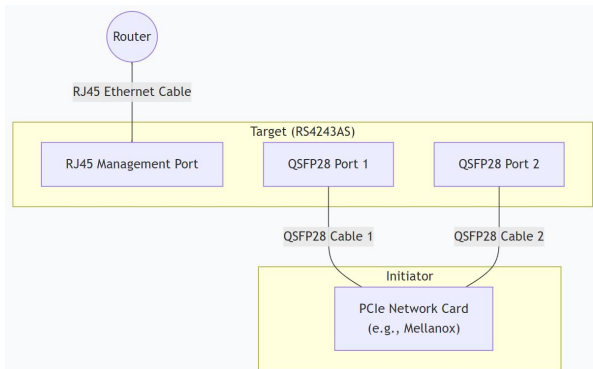


4. Hardware installation on the Initiator (PCIe network interface card, for example: Mellanox)
 - 1) Insert the PCIe network interface card into the motherboard's PCIe slot.

- 2) Connect the other end of the QSFP28 Ethernet patch cables to the PCIe network interface card's ports.



The following topology diagram shows the Target (RS4243AS) connected to the router via RJ45 and to the Initiator's PCIe NIC via dual QSFP28 cables.



5. Press the power button to power up the chassis, then power up the motherboard.

Note: For other modes (single-port, dual-port, direct, or switch

connection), see the RS4243AS Hardware User Guide on our official website.

Resources

Various manuals are available for the RS4243AS.

For Documentation and more information about this product, please visit the following website:

<https://www.highpoint-tech.com/nvme-storage-platform/rocketstor4243as>

Customer Support

If you encounter any problems using the RS4243AS or have questions about this or any other HighPoint Technologies, Inc. product, please contact our Customer Support Department.

Web Support:

<https://www.highpoint-tech.com/support-and-services>

HighPoint Technologies, Inc. websites:

<https://www.highpoint-tech.com>