

SSD7580B

8x U.2 Port to PCIe 4.0x16 NVMe RAID Controller



Quick Installation Guide

V1.03

System Requirements

PC Requirements

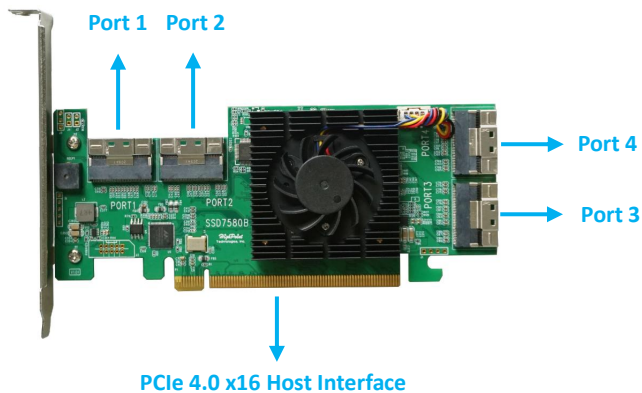
- System with a free PCIe4.0 (or 3.0) x16 slot
- Windows 10 and later
- Windows Server 2016 and later
- RHEL/ Debian/ Ubuntu/ Fedora/ Proxmox/ Rocky Linux

SSD7580B Kit Content

- SSD7580B Controller Card
- Quick Installation Guide
- Low Profile bracket

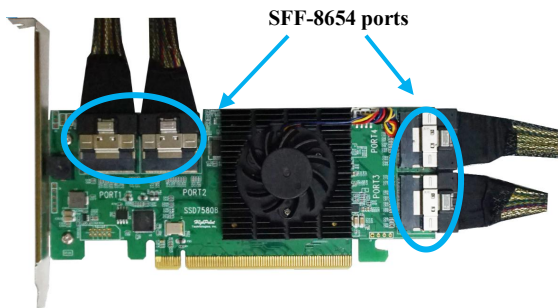
SSD7580B Hardware

Front View



Hardware Installation

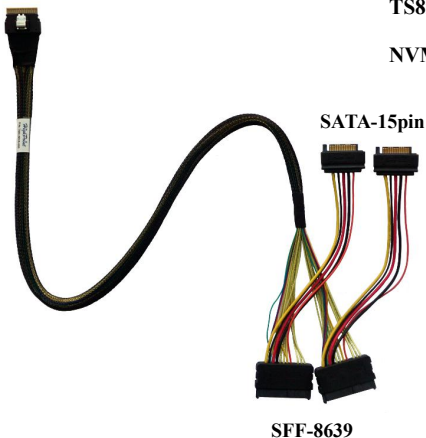
1. The SSD7580B provides four device ports which utilize SFF-8654 connectors. These ports accept a variety of HighPoint Certified Cable Accessories (see the Accessories section towards the end of this guide for more information). The following procedure explains how to connect U.2 NVMe SSDs directly to the SSD7580B using HighPoint TS8i-8639-060 NVMe cables.



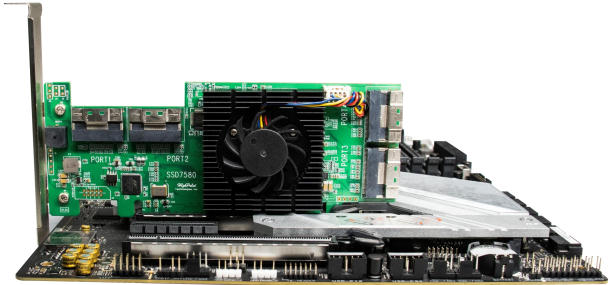
SFF-8654

TS8i-8639-060

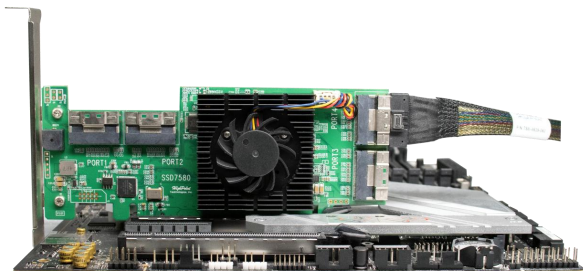
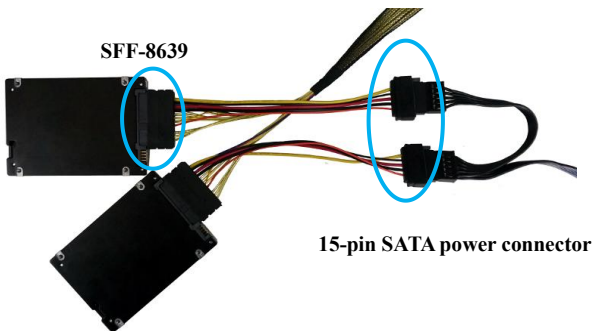
NVMe cable



2. Shown above is an SFF-8654 to U.2 SFF-8639 cable with a 15-pin SATA power connector. The SFF-8639 port should be connected to the NVMe SSD's U.2 port. The 15 pin SATA power connector should be connected to the system's power supply.
3. Insert the SSD7580B controller into one of the motherboard's open PCI-E 4.0x16 slots.



4. Connect two pieces of NVMe with SFF-8639 port, and connect SFF-8654 port to SSD7580B. Connect the 15-pin SATA power connector to the system's power supply.



5. Connect the remaining NVMe SSDs to the SSD7580B controller as described above. Once complete, Power on the system.

Note: *Please make sure the cables are securely connected to the SSD7580B's device ports and the NVMe SSDs or backplane. Loose connections can lead to a variety of problems including instability, slower than expected performance and broken RAID arrays or dropped disks.*

Note: *Make sure the controller's device driver has been installed before physically installing the controller and NVMe SSDs. Driver and RAID Management Installation Guides are available from the Documentation section of the product's webpage.*

Optional Certified Cable Accessories

8654-8643-210



**SFF-8654 to SFF-8643 NVMe cable,
1meter length**

The 8654-8643-210 is an external SFF-8654 (host) to SFF-8643 (device) PCIe 4.0 x8 NVMe cable; each cable can host up to 2x NVMe SSDs.

8654-8611-205



**SFF-8654 to SFF-8611 NVMe cable,
0.5meter length**

The 8654-8611-205 is an external SFF-8654 (host) to SFF-8611 (device) PCIe 4.0 x8 NVMe cable; each cable can host up to 2x NVMe SSDs via an SFF-8611 Oculink connection.

Resources

A variety of manuals, guides and FAQs are available for the SSD7580B RAID controller.

In addition, we recommend visiting the Software Downloads webpage for the latest drivers, management interfaces, and installation guides.

For Software Downloads, Documentation and more information about this product, please visit the following website:

<https://www.highpoint-tech.com/nvme1/ssd7580b>

Certified Accessories:

<https://www.highpoint-tech.com/nvme-accessories>

FAQ & Troubleshooting:

[FAQ - HighPoint Technologies, Inc. \(helpjuice.com\)](https://www.highpoint-tech.com/helpjuice.com)

Customer Support

If you encounter any problems while utilizing the SSD7580B, or have any questions about this or any other HighPoint Technologies, Inc. product, feel free to contact our Customer Support Department.

Web Support:

<https://www.highpoint-tech.com/support-and-services>

HighPoint Technologies, Inc. websites:

<https://www.highpoint-tech.com>